



Technical Data Sheet

Series: **B-full**

Article code: **BF1116M2**

Description:

2-way built-in shower mixer

Materials:

Brass

Surface finish Chrome:

14 micron Nickel

0.3 microm Chrome

Finishings



M000



M001



M002



Features



Cartridge diam. 42 mm with 2 ceramic disks, with 25° opening angle, and 90° mixing angle. We use only certified white lubricant into our mixers and cartridges.



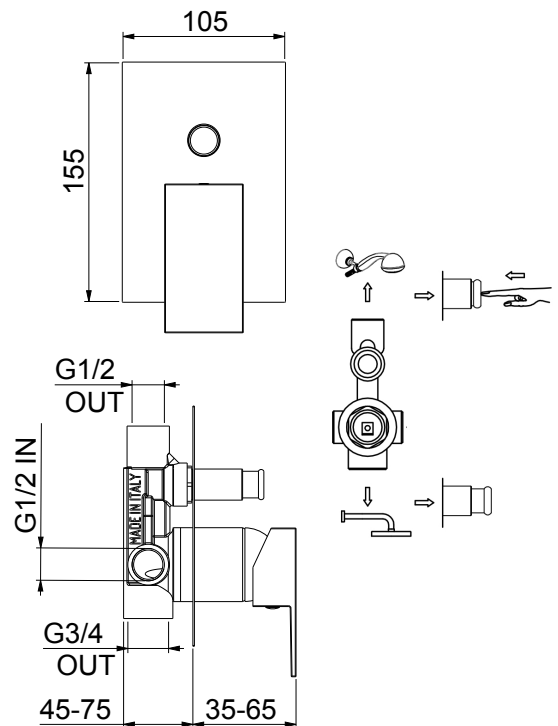
Cast solid brass body
Brass 1/2 screwed connection easy to be changed



Automatic solid brass diverter with stainless steel spring

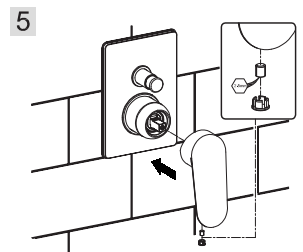
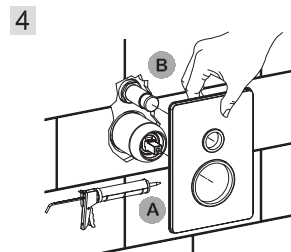
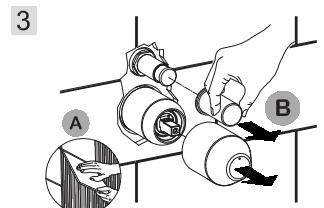
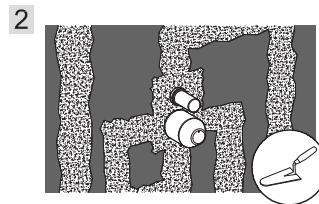
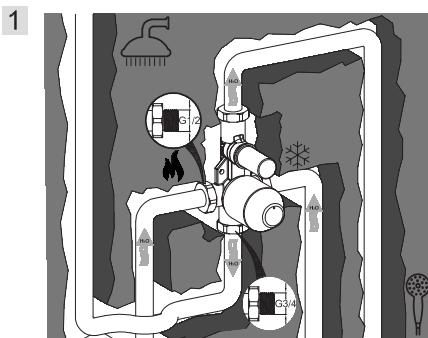
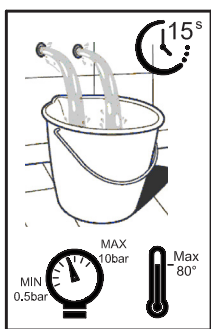
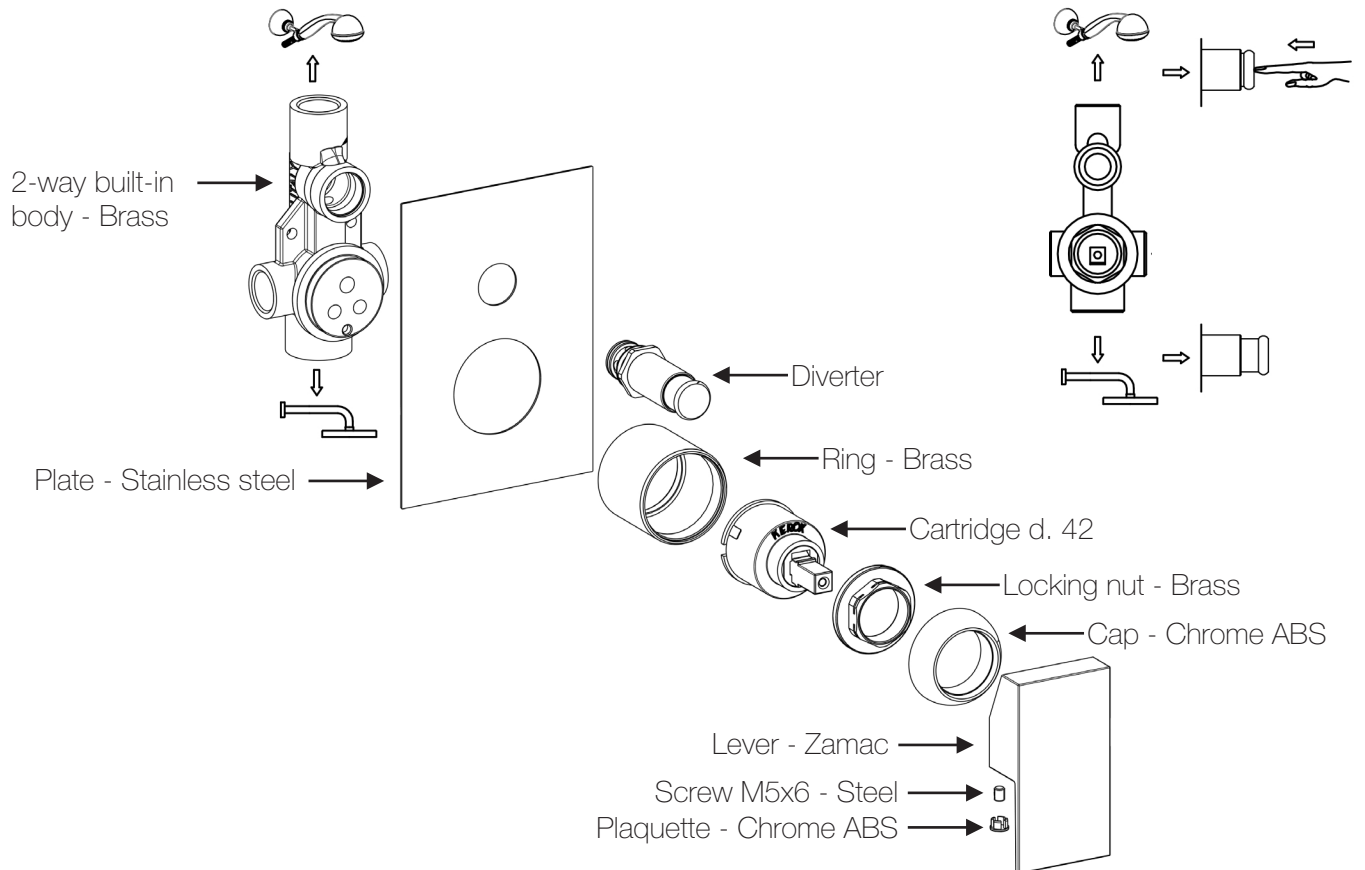
1 mm stainless steel plate

Suitable for electrical water heater





Technical Data Sheet



Cleaning recommendation for products and care of finish

Chrome: the chrome surfaces can be cleaned with a mild detergent or with neutral soap and water.

Color finishes: taps with colored finishes should be cleaned only with a cloth and water.

Never use detergents containing mineral acids (ex. hydrochloric acid), aggressive acids (ex. acetic acid), bases (ex. ammonia) phosphoric acid or other aggressive substances, as they can cause significant damage.