

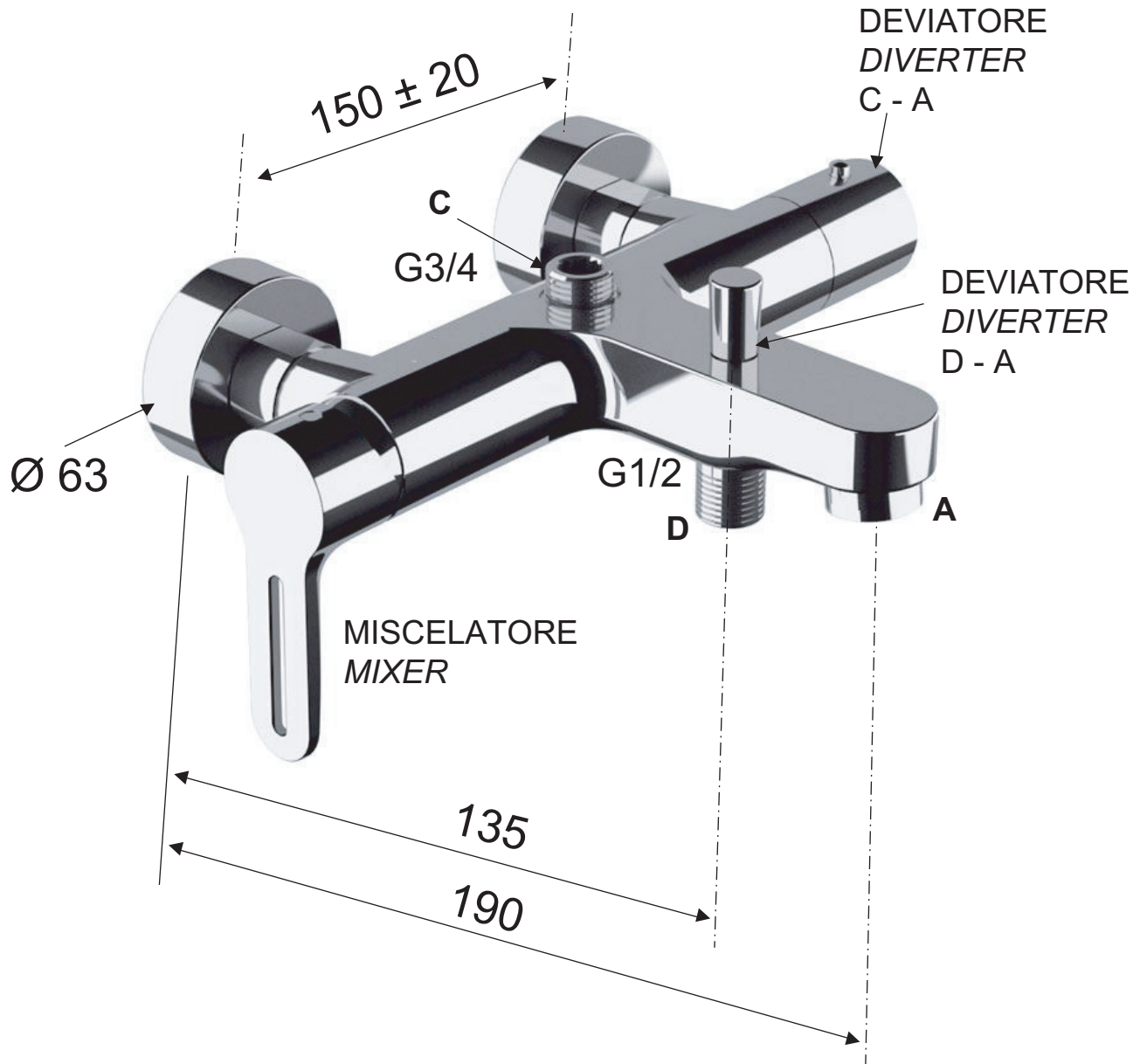
SCHEDA TECNICA TECHNICAL FEATURES



Vetta
Rubinetterie

ART. COD.

LO2020M3



MATERIALI / MATERIALS

OTTONE / BRASS

UNI EN 248