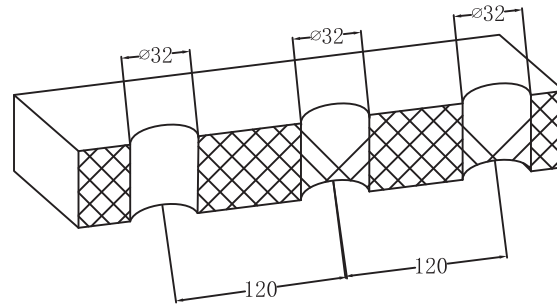


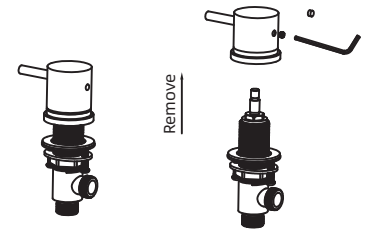
Three holes basin mixer instruction

Number	Name	Quantity
1	Hot water switch valve	1
2	Spout	1
3	Cold water switch valve	1
4	Hose	2
5	Instruction	1
6	Accessory kit	1

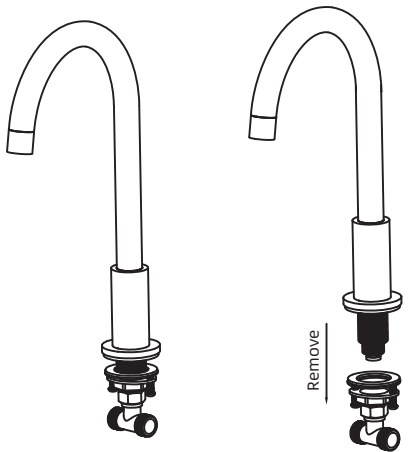
Steps of Installation



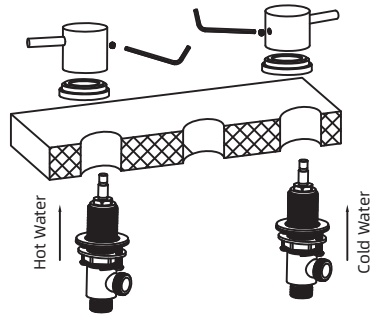
1. Basin opening size



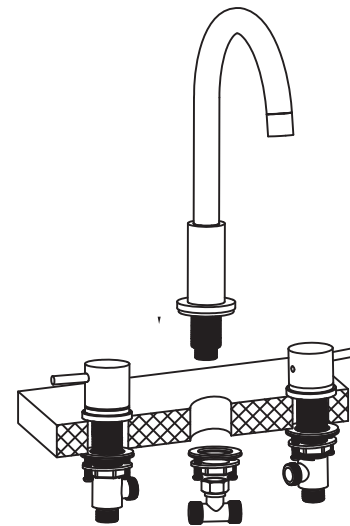
2. The cold and hot water switch, use the hexagonal wrench to unscrew the screws. Separate the valve and handle for later installation.



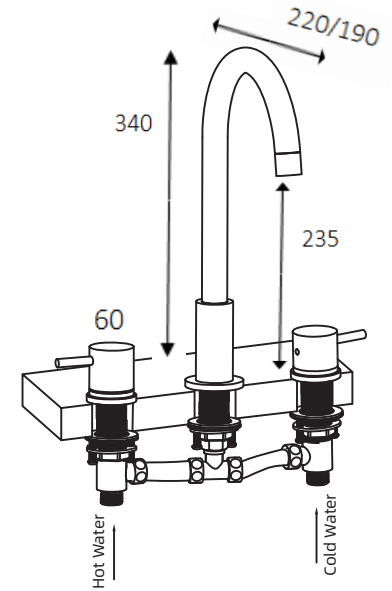
3. Remove the tee and hex nuts from the bottom of the spout components.



4. First screw the switch valve through the basin into the switch base, then screw switch components with the hex nuts. Finally install the handle.



5. Use the hex nut to lock the spout component from the bottom and install the movable tee.



5. Finally connect to the hoses.