

SCHEDA TECNICA TECHNICAL FEATURES



**Vetta
Rubinetterie**

ART. COD.

BF1122T2

DEVIATORE A 2 VIE
2-WAYS DIVERTER

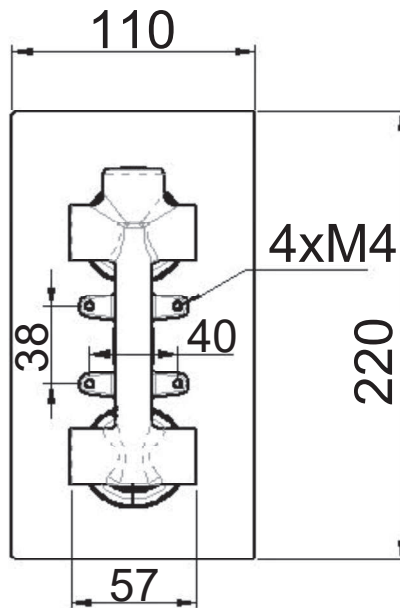
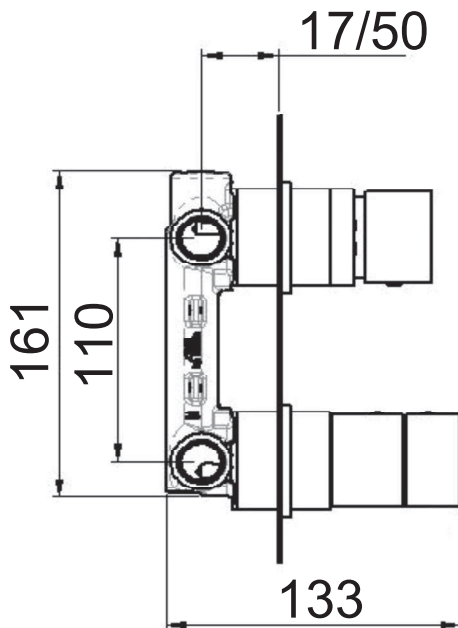
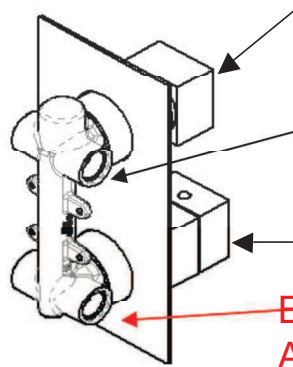
USCITA 1
OUTLET 1
G1/2

USCITA 2
OUTLET 2
G1/2

ENTRATA ACQUA
FREDDA
COLD WATER
INLET
G1/2

ENTRATA
ACQUA CALDA
HOT WATER INLET
G1/2

2 MANIGLIE COASSIALI
2 COAXIAL HANDLES
ON-OFF + T 38° STOP



TERMOSTATICO
THERMOSTATIC

MATERIALI / MATERIALS

OTTONE / BRASS

UNI EN 248