

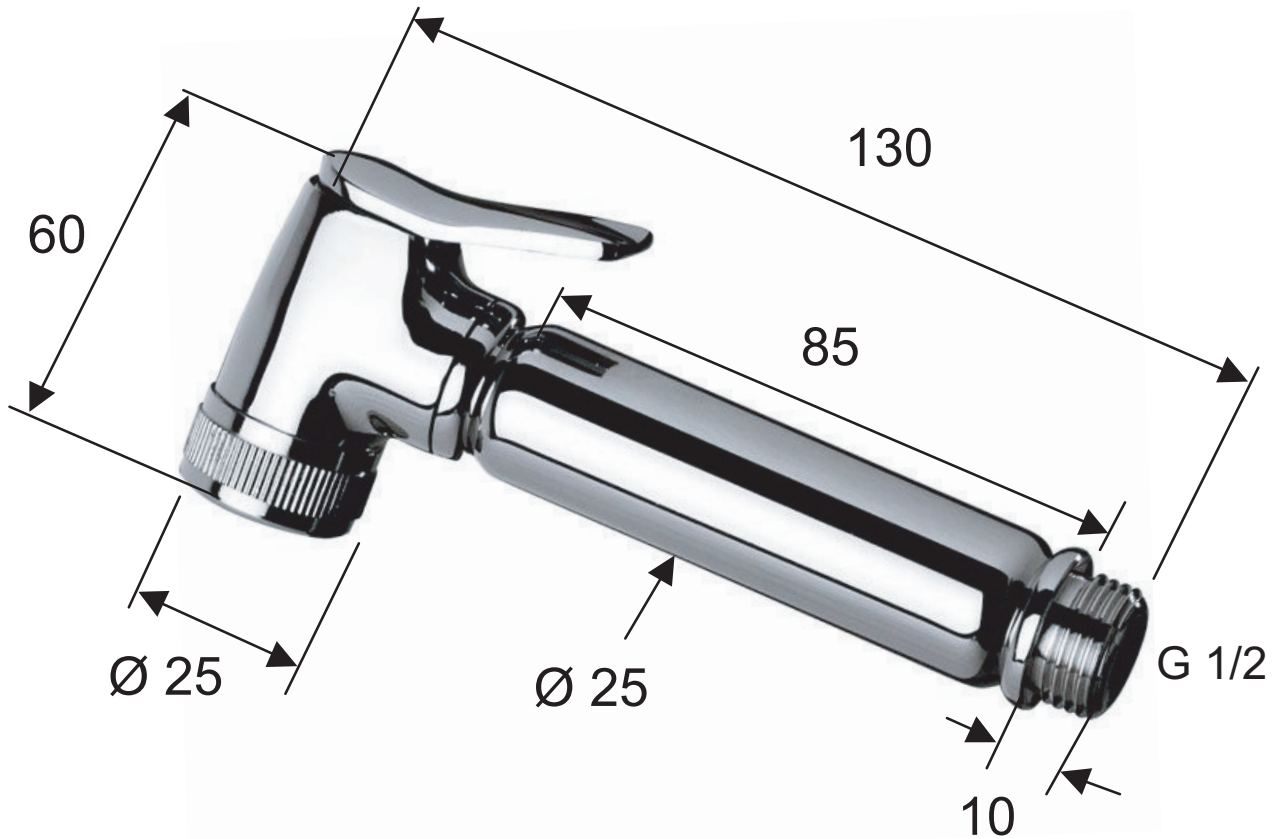
SCHEDA TECNICA TECHNICAL FEATURES



**Vetta  
Rubinetterie**

ART. COD.

**SHUTHAE**



PRESSIONE / PRESSURE  
PORTATA / FLOW RATE

0,5 bar	1 bar	2 bar	3 bar	4 bar	5 bar
7 l/min	10,5 l/min	13 l/min	15 l/min	16,5 l/min	18,5 l/min

**MATERIALI / MATERIALS**

OTTONE / BRASS

CuZn37Pb2Ni1AlFe CB753S UNI EN 12420 2000

UNI EN 248